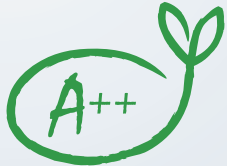


Model : ABYG18LVTB / ABYG24LVTA



18 Model



Wireless R.C.



For ABYG18LVTB



For ABYG24LVTA



Floor / Ceiling Range

Feature Flexible installation

Example for floor installation
Floor console

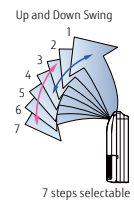
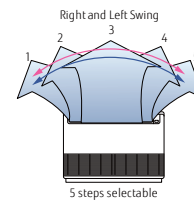


Example for ceiling installation
Under ceiling



Feature Double auto swing

A combination of right/left and up/down directional swing allows 3-dimensional air direction control



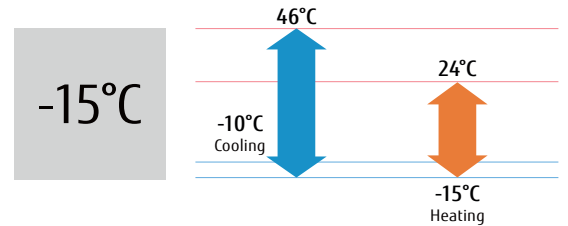
⇄ Steps
→ Swing: Cooling, Dry and Fan mode
← Swing: Heating and Fan mode

Feature High power DC fan motor

- High power
- Wide rotation range
- High efficiency



Feature Low ambient operation



Optional parts

Wired Remote Controller:	UTYRVNYM
Simple Remote Controller:	UTYRSNYM
External Connect Kit	UTYXWZX
Modbus Interface	FJRCMBS1
KNX Interface	FJRCKNX1i
WiFi Interface	FJRCWIF1

Feature explanation



Economy mode

Thermostat setting automatically changes according to the temperature to avoid unnecessary cooling and heating.



10°C HEAT operation

The room temperature can be set to go no lower than 10°C, thus ensuring that the room does not get too cold when not occupied.



Auto-changeover

The unit automatically switches between heating and cooling modes based on your temperature setting and the room temperature.



Double swing automatic

Complex swing action of flaps enables automatically to swing both horizontal and vertical directions.



Automatic fan speed

The micro-computer automatically adjusts the airflow effectively to follow the changes of room temperature.



Auto restart

In the event of a temporary power failure, the air conditioner will automatically restart in the same operating mode as before, once power supply is restored.



Sleep timer

The micro-computer gradually changes the room temperature automatically to afford a comfortable night's sleep.



Program timer

This digital timer allows selection of one of four options: ON, OFF, ON + OFF or OFF + ON.

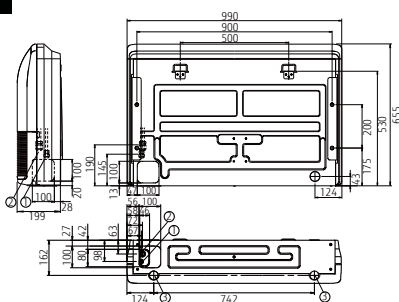


Filter sign

Indicates the filter cleaning period by lamp.

Dimensions

(Unit : mm)



- ① Refrigerant piping flare connection (Liquid)
- ② Refrigerant piping flare connection (Gas)
- ③ Drain piping connection

Specifications

(TENTATIVE)

	Indoor	ABYG18LVTB	ABYG24LVTA
	Outdoor	AOYG18LALL	AOYG24LALA
Nominal Capacity (kW)	Cooling	5.20 (0.90-5.90)	6.80 (0.90-8.00)
	Heating	6.00 (0.90-7.50)	8.00 (0.90-9.10)
UK Total / Sensible Cooling *		4.79 / 3.33	6.05 / 4.51
Power Consumption (kW)	Cooling	1.62	2.21
	Heating	1.66	2.26
EER / COP (Nominal Conditions)		3.21 / 3.61	3.08 / 3.54
Pdesign (kW) @ -10°C	Cooling	5.20	6.80
	Heating	5.20	6.00
SEER	Cooling	6.10	5.60
SCOP	Heating (Average)	4.00	3.90
Energy Efficiency Class	Cooling	A++	A+
	Heating (Average)	A+	A
Annual Energy Consumption (kWh/a)	Cooling	298	425
	Heating	1819	2150
Moisture Removal	l/h	2.00	2.70
Dimensions (HxWxD) mm	Inner	199x990x655	199x990x655
	Outer	578x790x300	578x790x315
Net Weight (kg)	Inner	27	27
	Outer	40	44
Room Air Circulation (high) m3/h	Inner	780	980
	Outer	2000	2470
Power Supply	V-PH-Hz	230 / 1 / 50	230 / 1 / 50
Power Supply To		Outdoor	Outdoor
Running Current (A)	Cooling	7.20	9.70
	Heating	7.40	9.90
Starting Current	A	7.40	9.90
Suggested MCB/Fuse	A	16	16
Interconnecting Cable		3 + E	3 + E
Remote Control Type		Wireless	Wireless
Sound Pressure (dB(A) Cooling)	Indoor Q/L/M/H	31 / 34 / 40 / 43	35 / 40 / 44 / 48
	Outdoor H	50	52
Sound Power (dB(A) Cooling)	Indoor H	57	61
	Outdoor H	62	67
Max Pipe Length	m	25	30
Max Height Difference	m	15	20
Refrigerant Charge	m	15	15
Additional Refrigerant Charge	g/m	20	20
Pipe Size (inches)	Gas	1/2	5/8
	Liquid	1/4	1/4
Operating Range (OC)	Cooling	-10 ~ 46	-10 ~ 46
	Heating	-15 ~ 24	-15 ~ 24
Refrigerant		R410A	R410A

Note

•Cooling/heating capacities are based on the following conditions.

Cooling	Indoor temperature 23°CDB / 16°CWB Outdoor temperature 30°C
---------	--

- Performance test is in accordance with EN14511
- Seasonal efficiency test is in accordance with EN14825
- Sound power test is in accordance with EN12102



- Specifications and design are subject to change without notice for further improvement.
- Actual products' colours may be different from the colours shown in this printed material.

Distributed by :

FUJITSU GENERAL AIR CONDITIONING (UK) LTD
Unit 150 Centennial Park, Centennial Avenue, Elstree, Herts. WD6 3SG
www.fujitsu-general.com/uk

Tel: +44 (0)208 731 3450 Fax: +44 (0)208 731 3451

Copyright© 2016 Fujitsu General Limited. All rights reserved. 3EFNP10-1510E